



MiniRaQ by Eaton

Vertical equipment mounting at its best!



35 inches in clearance allowing you to vertically mount your network and server equipment

The MiniRaQ by Eaton is the ideal vertical rack enclosure for wallmount Edge IT and power management equipment.

Capable of supporting up to 400 pounds in a compact footprint, MiniRaQ provides a reliable enclosure capable of fitting in confined spaces. Compatible with a wide variety of Eaton UPSs (lead-acid and lithium battery offerings), automatic transfer switches, bypass and rack power distribution units, the MiniRaQ supports your power reliability requirements, while providing an additional level of security for remote environments. Unlike traditional horizontal-mount enclosures with 19- to 23-inch limitations, you can vertically mount networking and server equipment up to 35 inches in length safely and securely within your Edge application.

Key features and benefits

Save time

- **Modular design** guarantees installation can be performed by one technician, reducing installation costs and time to deploy
- **Unsurpassed weight capacity** allows up to 400 lbs. of critical equipment to be installed

Save space

- **Large cable access openings** on the top, bottom, and sides of the backplate provide increased cable and conduit routing flexibility
- **50 percent smaller footprint** makes the MiniRaQ an ideal solution for network closets and other small, non-traditional applications

Reduce risk

- **The optional high-velocity, multi-fan module** ensures critical networking equipment stays cool



Powering Business Worldwide

Versatility where you require it

MiniRaQ by Eaton, offers customers three main options that are available in two sizes, compact and tall. Select the open version for simplified deployments, the convertible version if you require flexibility or the secure version for optimum security. The MiniRaQ's convertible design allows you to adapt and future-proof your environment as your requirements change by upgrading to the secure version. With depths up to 35 inches in an enclosure that extends less than 13 inches from the wall, MiniRaQ fully supports your next edge IT deployment with minimal footprint impact.

Sizing options

Compact rack



Compact – supports equipment from 22–28 inches in depth.

Tall rack



Tall – supports equipment from 29–35 inches in depth.

Configuration options

Open rack



Sturdy, low-profile, open frame wallmount rack

Convertible rack



Rugged, low-profile design capable of being upgrade to MiniRaQ secure

Secure rack



Locking lid wallmount rack with heat removal, air filtering, equipment mounting and data/cable management accessories

Optimize the performance of your MiniRaQ

Riser brackets

The 6-inch riser kit increases the maximum equipment holding depth to 35 inches.



MiniRaQ riser brackets

Brush cover access plate

Allows cables to be passed to or from the top, bottom, or sides of the MiniRaQ.



MiniRaQ brush cover access plates

Fan tray

Dual-fan units allow for maximum airflow and heat removal.



The perfect complement to the 10U secure compact or tall MiniRaQ enclosure

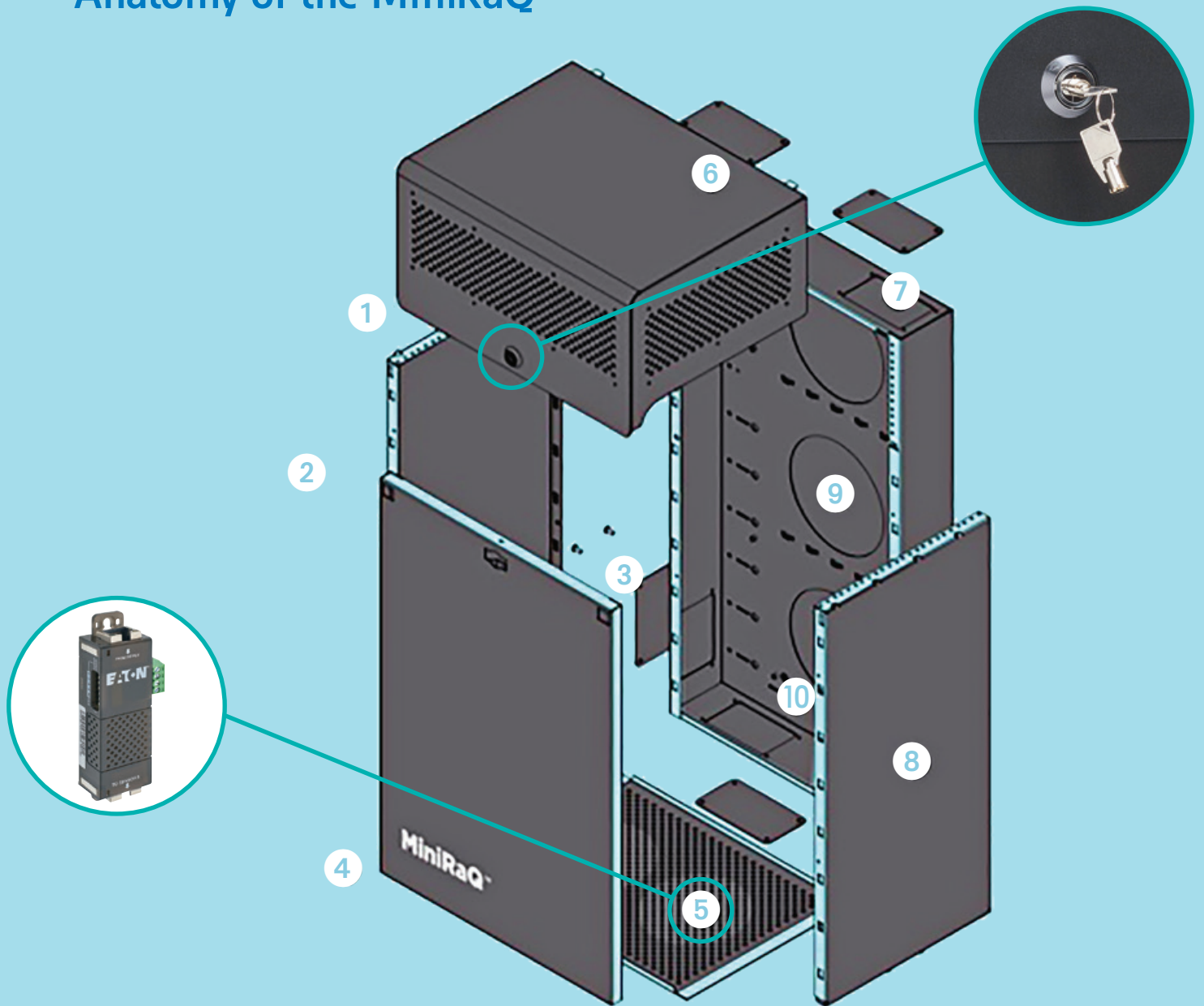
Filter kits

Keep dust and debris away from your critical equipment.



These replaceable filters are installed inside the locking lid in front of the cooling holes

Anatomy of the MiniRaQ



1 Optimized for deep rackmount components

Vertical orientation allows equipment depths up to 35 inches, exceeding the limitations of traditional horizontal enclosures

2 Single technician install

Modular design guarantees that installation can be performed by one technician greatly reducing install costs and time to deployment

3 Optimized data and power cable routing

Large cable access openings on top, bottom and sides of backplate allow for increased flexibility when routing cable bundles, service loops or conduit

4 50% smaller footprint

The smaller footprint of the MiniRaQ is ideal for small networking closets or other non-traditional spaces

5 Keep it cool

Optional high velocity multi-fan module keeps critical network equipment cool. Add an [Environmental Monitoring Probe \(EMP\) Gen 2 \(EMPDT1H1C2\)](#) to collect temperature and humidity data and receive alerts.

6 Secure enclosure

Ensures physical protection of critical network equipment against hackers, thieves or vandalism

7 Incorporated cable management

Bridge lance design provides an easy way to keep cables tight and organized

8 Greatly reduced enclosure depth

Safely deploy 6U of equipment and 96 ports of patch panel in a fully secure enclosure that only extends 13 inches from the wall

9 Unsurpassed weight capacity

Designed to hold up to 400 lb. when properly installed

10 Integrated earth grounding stud

Insures proper protection of network critical equipment against damaging power events

MINIRAQ BY EATON MODEL SELECTION GUIDE*

Catalog number	Description	Dimensions (H x W x D), in.	Net weight, (lb.)
MiniRaQ Open			
ETN-MRQ100V06	4U side panels and a backplate (2.5" deep)	19.25 x 19 x 9.75	18
ETN-MRQ100V08	6U side panels and backplate (2.5" deep)	19.25 x 19 x 13.25	20
ETN-MRQ100V10	8U side panels and backplate (2.5" deep)	19.25 x 19 x 16.75	22
ETN-MRQ100V12	10U side panels and backplate (2.5" deep)	19.25 x 19 x 20.25	24
MiniRaQ Convertible			
MiniRaQ Convertible Compact			
ETN-MRQ351V06	No side panels and backplate (4.5" deep)	31.0 x 19.6 x 4.5	25
ETN-MRQ351V08	2U side panels and backplate (4.5" deep)	31.0 x 19.6 x 8.3	34
ETN-MRQ351V10	4U side panels and backplate (4.5" deep)	31.0 x 19.6 x 11.8	37
ETN-MRQ351V12	6U side panels and backplate (4.5" deep)	31.0 x 19.6 x 15.3	41
ETN-MRQ351V14	8U side panels and backplate (4.5" deep)	31.0 x 19.6 x 18.8	44
ETN-MRQ351V16	10U side panels and backplate (4.5" deep)	31.0 x 19.6 x 22.3	47
MiniRaQ Convertible Tall			
ETN-MRQ301V06	No side panels and backplate (4.5" deep)	38.1 x 19.6 x 4.5	25
ETN-MRQ301V08	2U side panels and backplate (4.5" deep)	38.1 x 19.6 x 8.3	34
ETN-MRQ301V10	4U side panels and backplate (4.5" deep)	38.1 x 19.6 x 11.8	37
ETN-MRQ301V12	6U side panels and backplate (4.5" deep)	38.1 x 19.6 x 15.3	41
ETN-MRQ301V14	8U side panels and backplate (4.5" deep)	38.1 x 19.6 x 18.8	44
ETN-MRQ301V16	10U side panels and backplate (4.5" deep)	38.1 x 19.6 x 22.3	47
MiniRaQ Secure			
MiniRaQ Secure Compact			
ETN-MRQ351S06	No side panels, backplate (4.5" deep), front panel, locking cover and vented bottom – supports equipment depth of 22" to 28"	31.0 x 19.6 x 4.5	40
ETN-MRQ351S08	2U side panels, backplate (4.5" deep), front panel, locking cover and vented bottom – supports equipment depth of 22" to 28"	31.0 x 19.97 x 8.95	52
ETN-MRQ351S10	4U side panels, backplate (4.5" deep), front panel, locking cover and vented bottom – supports equipment depth of 22" to 28"	31.0 x 19.97 x 12.45	58
ETN-MRQ351S12	6U side panels, backplate (4.5" deep), front panel, locking cover and vented bottom – supports equipment depth of 22" to 28"	31.0 x 19.97 x 15.95	66
ETN-MRQ351S14	8U side panels, backplate (4.5" deep), front panel, locking cover and vented bottom – supports equipment depth of 22" to 28"	31.0 x 19.97 x 19.45	72
ETN-MRQ351S16	10U side panels, backplate (4.5" deep), front panel, locking cover and vented bottom – supports equipment depth of 22" to 28"	31.0 x 19.97 x 22.95	78
MiniRaQ Secure Tall			
ETN-MRQ301S06	No side panels, backplate (4.5" deep), front panel, locking cover and vented bottom – supports equipment depth of 29" to 35"	38.1 x 19.6 x 4.5	48
ETN-MRQ301S08	2U side panels, backplate (4.5" deep), front panel, locking cover and vented bottom – supports equipment depth of 29" to 35"	38.1 x 19.97 x 8.95	60
ETN-MRQ301S10	4U side panels, backplate (4.5" deep), front panel, locking cover and vented bottom – supports equipment depth of 29" to 35"	38.1 x 19.97 x 12.45	67
ETN-MRQ301S12	6U side panels, backplate (4.5" deep), front panel, locking cover and vented bottom – supports equipment depth of 29" to 35"	38.1 x 19.97 x 15.95	76
ETN-MRQ301S14	8U side panels, backplate (4.5" deep), front panel, locking cover and vented bottom – supports equipment depth of 29" to 35"	38.1 x 19.97 x 19.45	83

*Due to continuous product improvement programs, all specifications are subject to change without notice. Please visit Eaton.com/MiniRaQ to view complete and updated product specifications.

For assistance with Eaton products, pricing or configurations, please contact:

RICK JAMES
Synnex Account Manager
RickJames@eaton.com
828.777.5416

WILLIAM BATEMAN
Senior Product Manager
Power and Accessories
Williambat@synnex.com
864.349.4962 Direct
800.456.4822 x494962

ANDREW APPEL
Presales Engineer, Eaton
AndrewAp@synnex.com
864.349.4207 Direct
561.400.8966 Mobile

THE SYNnex EATON SALES TEAM
can also be reached at:
EatonPreSales@synnex.com

Features

- 2U dedicated space for patch panel

Features

- 4U dedicated space for patch panel
- Bonus 2U equipment space internal to backplate
- Upgradeable to MiniRaQ Secure Compact

Features

- 4U dedicated space for patch panel
- Bonus 2U equipment space internal to backplate

What's in the box

- MiniRaQ
- Instruction manual
- Keys
- Mounting screws

See the full suite of MiniRaQ by Eaton models at
Eaton.com/MiniRaQ